

INSTALLATION INSTRUCTIONS FOR COMPACT WET LOCATION EXIT SIGN/COMBO

IMPORTANT SAFEGUARDS



WARNING: RISK OF ELECTRIC SHOCK – NEVER CONNECT TO, DISCONNECT FROM, OR SERVICE WHILE EQUIPMENT IS ENERGIZED.

WARNING: FAILURE TO FOLLOW THESE INSTRUCTIONS AND WARNINGS MAY RESULT IN DEATH, SERIOUS INJURY OR SIGNIFICANT PROPERTY DAMAGE – For your protection, read and follow these warnings and instructions carefully before installing or maintaining this equipment. These instructions do not attempt to cover all installation and maintenance situations.

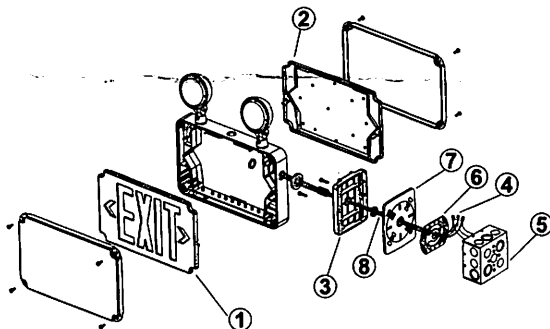
- All service shall be performed by qualified service personnel. This product must be installed and maintained in accordance with the applicable installation codes by a person familiar with the construction operation of the product and the hazards involved.
- This product must be installed in accordance with the applicable installation codes and ordinances.
- Before wiring to power supply, turn off electricity at fuse or circuit breaker.
- Disconnect A.C. power and unplug battery before servicing.
- Consult your local building code for approved wiring and installation.
- May be used outdoors under cover. (10°C~40°C)
- Do not let power supply cord touch hot surfaces.
- Do not mount near gas or electric heater.
- Equipment should be mounted in locations and at heights(Max:7ft) where it will not readily be subjected to tampering by unauthorized personnel.
- The use of accessory equipment not recommended by manufacturer may cause an unsafe condition.
- Do not use this equipment for other than intended use.
- The AC voltage rating of this equipment is specified on the product label. Do not connect equipment to any other voltage.

**SAVE THESE INSTRUCTIONS AND
DELIVER TO OWNER AFTER INSTALLATION.
INSTALLATION INSTRUCTIONS FOR EMERGENCY EXIT SIGN**

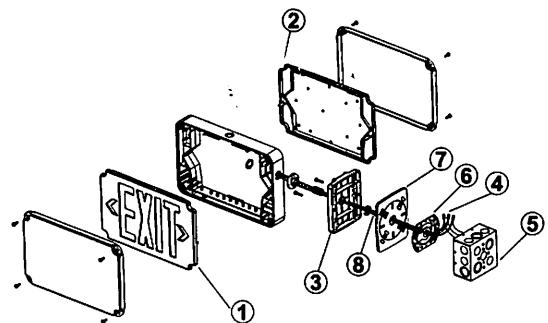
WALL MOUNT INSTALLATION

1. Use flat head screwdriver to loosen the screws on the lens.
2. Remove lens from sign, set aside.
3. Remove EXIT stencil from housing, set aside.
4. Drill or knock out appropriate knockouts on back plate to fit junction box mounting points.
5. Drill or knock out center hole in back plate for EXIT supply wire leads.
6. Remove backing from self adhesive junction box gasket and adhere to back plate.
7. Route EXIT input wires through center hole of the back plate and make wiring connection. For 120V, use black and white wires and for 277V, use red and white wires.
8. Secure back plate to junction box (hardware not included).
9. Remove proper chevron(s) as required. When removing chevrons it may be helpful to remove the color diffuser panel to allow easier access to the chevrons. If removing color diffuser panel it is important to remember to reinstall the diffuser panel once chevron(s) have been removed.
10. Connect battery to lamp board (battery back up models only).
11. Secure face plate(s) to the housing.
12. Secure lens to face plate and securely torque screws.
13. Apply continuous AC power and press "TEST" button to check operation.

CEILING OR END MOUNT INSTALLATION



Mini Wet Location Exit Combo



Mini Wet Location Exit Sing

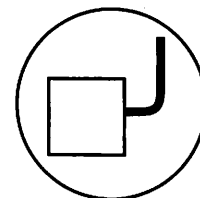
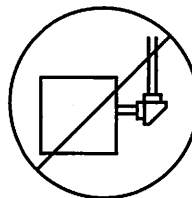
1. Use flat head screwdriver to loosen the screws on the lens.
2. Remove lens, from sign, set aside.
3. Remove EXIT stencil from housing, set aside.

Drill a $\frac{3}{4}$ " hole through the desired mounting knock out located on the frame of the sign. For ceiling mount, knock out will be located on the top of the housing. For wall mount, knock out will be located on the side of the housing.

4. Using provided hardware, thread nut onto pipe nipple. Slide pipe nipple through canopy center hole.
5. Remove backing from self adhesive junction box gasket and adhere to back of mounting canopy. Remove backing from self adhesive pipe thread gasket and adhere to front of mounting canopy.
6. Place screws (provided) in holes on the canopy.
7. Route Exit input wires through knockout in EXIT frame, pipe nut and metal mounting plate.
8. Make wiring connection. For 120V, use black and white wires and for 277V, use red and white wires.
WARNING: Properly insulate the unused lead with a wire nut (provided) or other approved means.
9. Push wire connections into the J-Box. Secure mounting plate to junction box (hardware not included).
10. Secure the canopy to the steel mounting plate with screws installed in step 7.
11. Place pipe nipple through the mounting hole of the housing until the gasket is touching the housing frame. Thread a second nut onto the pipe nipple on the inside of the housing to lock the canopy into place. Once canopy is locked into position there will not be any side-to-side movement of the canopy.
12. Remove proper chevron(s) as required. When removing chevrons it may be helpful to remove the color diffuser panel to allow easier access to the chevrons. If removing color diffuser panel it is important to remember to reinstall the diffuser panel once chevron(s) have been removed.
13. Connect battery to lamp board (battery back up models only).
14. Secure face plate(s) to the housing.
15. Secure lens to face plate and securely to torque screws.
16. Apply continuous AC power and press "Test" button to check operation.

CONDUIT ENTRY

1. Drill a $\frac{3}{8}$ " hole through the desired conduit entry knock out located on the top or side of the frame of the sign.
2. Route the AC input conduit into housing.
3. All conduit connections must use UL LISTED and SUITABLE FOR WET LOCATION parts.
4. To finish installation of EXIT sign, reference Wall, Ceiling or End Mount instructions.



FLEXIBLE CONDUIT ONLY!

OPERATION (BATTERY BACKUP)

1. Apply AC power to the unit. The LED indicator will be RED.
2. After the battery has been left to charge for 2 hours, test the unit by pushing the switch. The LED indicator turns OFF and the LED board stays ON.
3. When the switch is released, the LED indicator turns back to RED and the LED board stays ON.
4. For the unit with Self-Diagnostic, must connect as below:
 - 1) When customer doesn't need remote lamp, please insert terminal to N. (See Figure 1 below)
 - 2) When customer needs remote lamp, please insert terminal to Y. (See Figure 2 below)

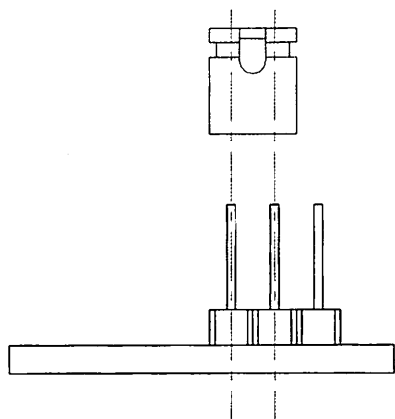


Figure 1

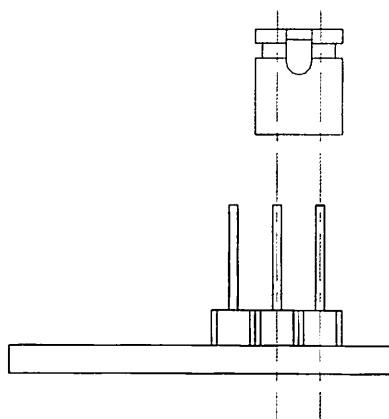


Figure 2

MAINTENANCE

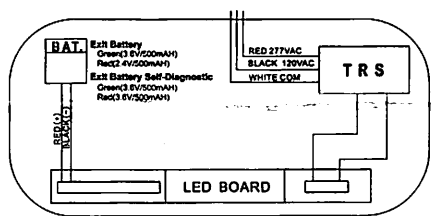
Caution: Always turn off AC power to the equipment before servicing. Servicing should be performed only by a qualified service technician. Use only MANUFACTURER supplied replacement parts.

BATTERY: The battery supplied with the EM model requires no maintenance. However, it should be tested periodically and replaced when it no longer operates the connected sign for the duration of a 30-second or 90-minute test.

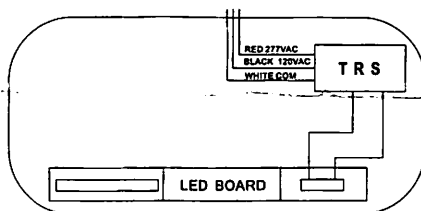
The battery supplied in this sign has a life expectancy of 5 years when used in a normal ambient temperature of 72°F.

NFPA 101(Life Safety Code) requires that all emergency lighting equipment be functionally tested every 30 days for a minimum of 30 seconds and tested annually for a full 90-minute duration. Written records of the testing are to be kept for examination by the authority having jurisdiction.

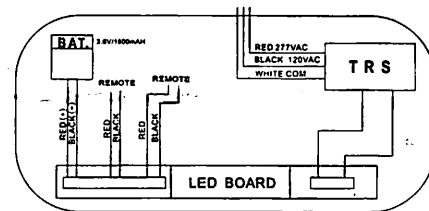
Wiring Diagram:



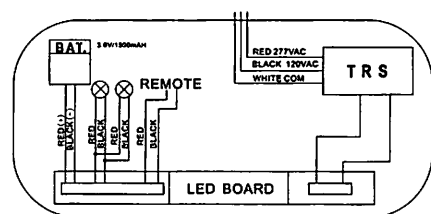
Exit Battery/Exit Battery Self-Diagnostic



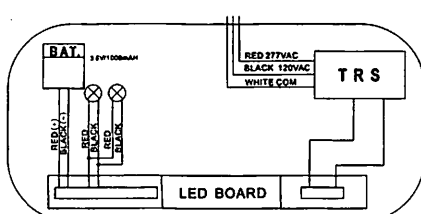
AC Only



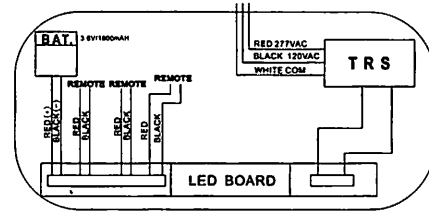
Exit Battery RC



COMBO RC/ COMBO RC Self-Diagnostic



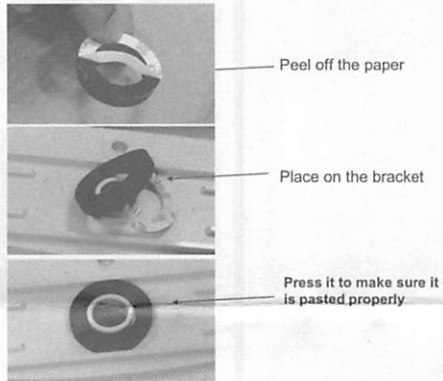
COMBO/COMBO Self-Diagnostic



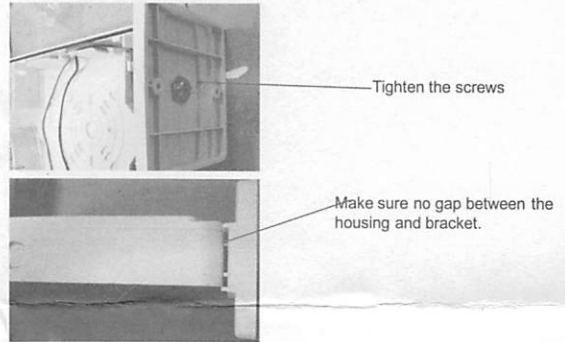
Exit Battery RC Self-Diagnostic

ATTENTION FOR WATER PROOF INSTALLATION

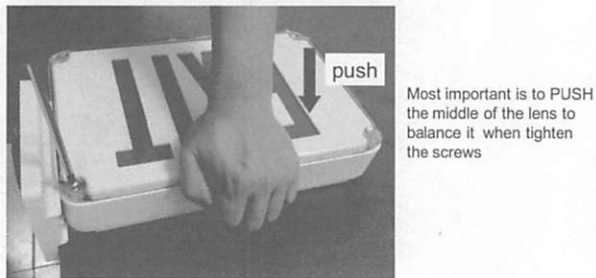
1 Instruction for seal ring installation



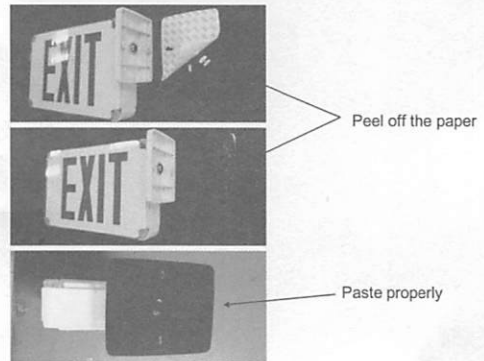
2 Instruction for bracket installation



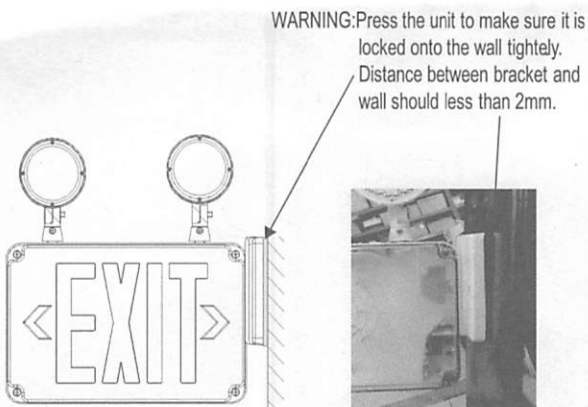
3 Instruction for clear lens installation



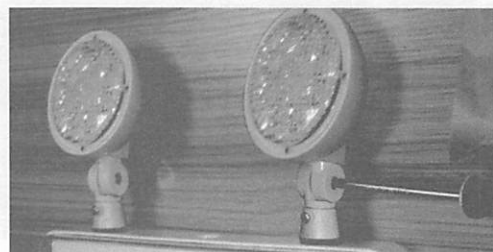
4. Instruction for seal foam installation



5. Instruction for final installation



6. Adjust the angle of the lamp head and tighten the screws



INSTRUCTION FOR SELF - DIAGNOSTIC TEST:

1. Introduction

Once the unit is properly installed according to the installation instruction sheet and AC power supplied it will come ON. The dual color LED indicator will also come ON and the self-diagnostic test function will automatically initiate. The LED indicator points out the current unit status. A STEADY GREEN on the LED indicates a normal service; BLINKING GREEN indicates that the unit is in testing mode; GREEN/RED FLASHING indicates that the battery is charging; RED (in different combinations) would indicate a fault or a service alert. Refer to the section 3-Fault Indication for more details. The indicator would be OFF when the unit is in emergency mode.

2. Self - Diagnostic Service

The self-diagnostic function is factory preset without any allowable field adjustment. The automatic self-diagnostic feature serves the following tests

- On-line real time monitoring of battery and lamps (both local and remote): identifies battery charging, disconnection and failure along with local and remote lamp failures.
- Self-testing and a 15-minute discharge once in every 30 days, after AC power has been supplied for a minimum of 24hrs.
- Self-testing and a 90-minute discharge once in every year, after AC power has been supplied for a minimum of 24hrs.

3. Fault Indication

Fault Description	LED Indication
Battery disconnection	STEADY Red
Battery recharge failure	FLASHING Red
Battery failure	Red BLINKING '2' TIMES
LED failure (Exits only)	Red BLINKING '3' TIMES
Local lamp failure (Emergency lights only)	Red BLINKING '4' TIMES
Remote lamp failure (Emergency lights only)*	Red BLINKING '5' TIMES
Conversion system fault	Red BLINKING '6' TIMES

*- Some applications, for emergency lights, might not require the remote lamps to be used. In such cases, the LED indicator would be constantly BLINKING Red '5' times indicating a fault. In order to by-pass the remote lamps, the PCB must be carefully pulled out from the unit and the purple wire (protruding from the board) should be plugged into the slot Re - L1- on the board. The purple wire already plugged into the slot must be pulled out. Contact factory for further assistance.

4. Manual Testing

The unit also provides for manual testing by pushing the test button in a specific pattern. The different patterns and the resulting tests are listed in the table below.

Action	Reaction & LED Indication
Push test button Once (within 2 seconds)	30-second test: FLASHING Green
Push test button Twice (within 2 seconds)	15-minute test: Green BLINKING twice
Push test button Three times (within 2 seconds)	90-minute test: Green BLINKING three times

WARNING:

- Make sure that power is OFF before making any Electrical Connections.
- Unused wires must be capped using enclosed wire nuts.