



RECESSED MOUNT ALUMINUM HOUSING EDGE LIT EXIT SIGN - RED OR GREEN LED

Code: ELSM-RM



The ELSM-R-RM offers an attractive and functional design while still completely self-contained.



Compatible Battery: BAA-48R

FEATURES

- UL 924, NEC, OSHA, and NFPA 101 Life Safety Code
- UL Listed for USA
- Listed for damp locations
- Engineering grade aluminum extruded housing
- 5 watts energy usage (battery backup models)
- Field installable directional indicators
- AC On indicator light and push-to-test switch (battery backup models)
- 120/277V operation
- **Please allow 3-5 days for black or white finishes - Call for rush orders**

WARRANTY INFORMATION

Any component that fails due to manufacturer's defect is guaranteed for 1 year. The warranty only covers products installed and maintained in accordance with the instructions provided by their respective manufacturer and no warranty is made with respect to any of our products that are otherwise installed or maintained. For full warranty details, visit our Warranty Section.

Conformance to Codes and Standards

The ELSM-RM Exit Sign series is UL listed and meets or exceeds the following: UL 924, NEC, OSHA, and NFPA 101 Life Safety Code requirements

ORDERING INFORMATION

Series	Letter Color	Housing Color	Operation Type	Sides
ELSM-RM	R (Red)	A (Aluminum)	BB (Battery Backup)	S (Single Side)
	G (Green)	W (White)	AC (AC Only - No Battery)	DW (Double Sided White)
		B (Black)	ST (Self-Testing)	DM (Double Sided Mirrored)
			DC120V (120V Dual Circuit Systems)	
			DC277V (277V Dual Circuit Systems)	

CONSTRUCTION

The ELSM-RM Edge Lit Exit Sign series is designed with premium-grade, extruded aluminum housing. The trim assembly can easily be detached from below, providing easy and convenient access for service maintenance. Self-adhesive chevrons (arrows) and template guide is provided for arrow installation.

ELECTRICAL COMPONENTS

Dual voltage input 120/277 VAC operation. 220V/50Hz Special voltage available. LED display indicates AC/ON. An external push button test switch on battery backup units allows maintenance personnel to quickly determine the operational status of the unit. Unit offers surge protected, solid state circuitry.

EMERGENCY OPERATION

Upon failure of the normal utility power, an internal solidstate transfer switch automatically provides uninterrupted emergency operation for at least 90 minutes. The fully automatic solid-state, two-rate charger initiates battery charging to recharge a discharged battery in 24 hours.

BATTERY - BATTERY BACKUP

The ELSM-RM Recessed Mount Exit Sign is designed with a 4.8V NiCad maintenance-free battery that provides a minimum emergency duration of 90 minutes. Recharge time of the battery is 24 hours.

SELF-TESTING OPTION

This unit continuously monitors the AC power, battery supply voltage, emergency lamp condition and charging circuit. If failure is detected, the multi-color LED indicator light will indicate the status and adjust when it has been corrected. The self-test feature will automatically perform code compliant testing for five minutes every 28 days and 90 minutes every six months.

OPERATIONAL TEMPERATURE

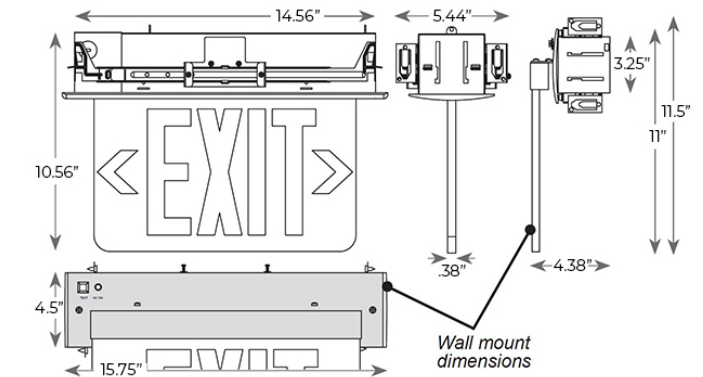
Temperature Ratings

Standard Option	0°C to 50°C / 32°F to 122°F
-----------------	-----------------------------

INSTALLATION

The ELSM-RM LED Exit Sign allows unit to be ceiling recessed for drop ceiling or new construction application only. Optional field installable directional arrow indicators and all hardware is included.

DIMENSIONS



Weight : 12.00 lb

3170 Scott St, Vista, CA 92081
Phone: 877-352-3948 | Fax: 877-352-3949
info@exitlightco.com