

ODBWPPOLY

Polycarbonate LED Wall Pack

FEATURES

- Available in 4000K (neutral white) and 5000K (cool white).
- Universal 100-277 AC voltage (50-60Hz) is standard.
- Fluted, polycarbonate lens for even light distribution.
- Polycarbonate housing with a painted, die cast aluminum back plate, and a seamless gasket to prevent leaks.
- Color rendering index > 70.
- Total harmonic distortion < 20%.
- Power factor > 0.90.
- cULus listed for wet locations (-20°C to 40°C / -4°F to 104°F).
- Built-in, button-type photocell (120 AC voltage only).



WARRANTY

Any component that fails due to manufacturer's defect is guaranteed for 5 years. The warranty only covers products installed and maintained in accordance with the instructions provided by their respective manufacturer and no warranty is made with respect to any of our products that are otherwise installed or maintained. For full warranty details, visit our Warranty Section.

The ODBWPPOLY wall pack series is an economical solution for outdoor perimeter and area lighting. With a built-in photocell, and a polycarbonate housing and lens, the LED-WPPC is a versatile and durable outdoor luminaire.

LFI



Ordering Information					
Series	Luminaire Watts	Luminaire Lumens	Lumens Per Watt	Mounting Option	Color Temperature
ODBWPPOLY	23	1031	45		4000K
	29	2465	85		5000K

CONFORMANCE TO CODES AND STANDARDS

The ODBWPPOLY series is cULus listed for wet locations and meets or exceeds the following: UL 924, FCC Part 15, IP65, Code requirements.

CONSTRUCTION

Polycarbonate housing with a painted, die cast aluminum back plate, and a seamless gasket to prevent leaks. Fluted, polycarbonate lens for even light distribution.

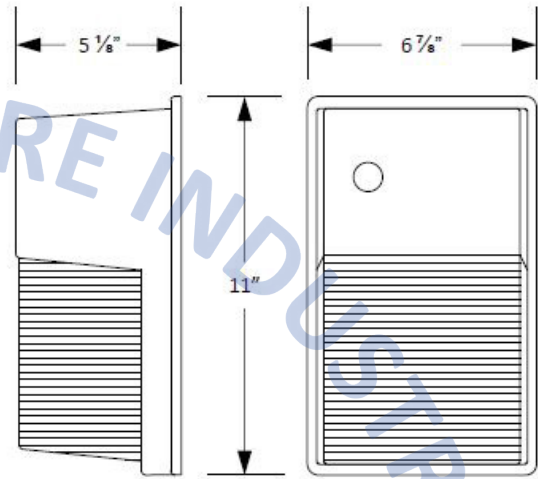
INSTALLATION

Easy installation in new construction or retrofit applications.

ILLUMINATION

ODBWPPOLY20W delivers 1,031 lumens and 45 lumens per watt (LPW). ODBWPPOLY30W delivers 2,465 lumens and 85 lumens per watt (LPW). Available in 4000k (neutral white) and 5000k (cool white) color temperatures.

DIMENSIONS



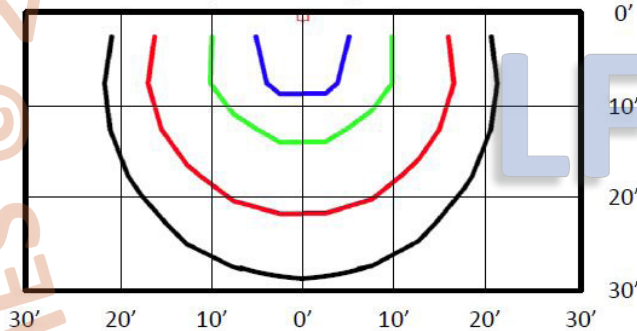
ELECTRICAL COMPONENTS

Universal 120-277 AC voltage (50-60Hz) is standard. Built-in, button-type photocell (120 AC voltage only). Power factor > 0.90. Total harmonic distortion < 20%. Color rendering index > 70.

PHOTOMETRICS

PHOTOMETRIC DATA

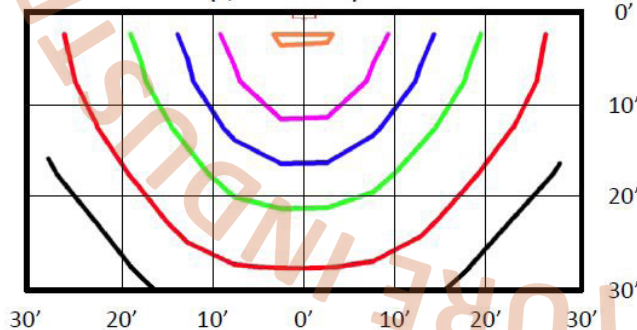
LEDWPPC20W-5K (1,031 lumens)



BUG Rating: B0-U3-G2

Zone	Lumens	%
FL - Front - Low (0-30)	71	7%
FM - Front - Medium (30-60)	213	21%
FH - Front - High (60-80)	174	17%
FVH - Front - Very High (80-90)	83	8%
Total Forward Light	540	52%
BL - Back - Low (0-30)	27	3%
BM - Back - Medium (30-60)	39	4%
BH - Back - High (60-80)	19	2%
BVH - Back - Very High (80-90)	14	1%
Total Back Light	100	10%
UL - Up Light - Low (90-100)	122	12%
UH - Up Light - High (100-180)	269	26%
Total Up Light	391	38%
Total Lumens	1,031	100%

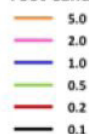
LEDWPPC30W-5K (2,465 lumens)



BUG Rating: B1-U3-G2

Zone	Lumens	%
FL - Front - Low (0-30)	272	11%
FM - Front - Medium (30-60)	632	26%
FH - Front - High (60-80)	413	17%
FVH - Front - Very High (80-90)	123	5%
Total Forward Light	1,440	58%
BL - Back - Low (0-30)	219	9%
BM - Back - Medium (30-60)	322	13%
BH - Back - High (60-80)	181	7%
BVH - Back - Very High (80-90)	56	2%
Total Back Light	778	32%
UL - Up Light - Low (90-100)	96	4%
UH - Up Light - High (100-180)	151	6%
Total Up Light	246	10%
Total Lumens	2,465	100%

Foot Candles



Notes:

- Isofootcandle plots depict initial footcandles at grade.
- Gridlines represent units of mounting height of 10 feet.



3170 Scott Street, Vista, CA 92081

Phone: 877-534-4621 Fax: 877-534-4624

Email: info@lightfixtureindustries.com

Published with the permission of Light Fixture Industries