

### FEATURES

- Available in 4000k (neutral) and 5000k (cool white) color temperatures.
- Universal 120-277 AC voltage (50-60Hz) is standard.
- Power factor > 0.90.
- Total harmonic distortion < 20%.
- Color rendering index > 80.
- ETL approved for damp locations and to relevant U.L. standards (-30°C to 50°C / -22°F to 122°F).
- Complies with FCC Part 15, Class A.
- Complies with IEEE C.62.41-1991, Class A input transient surge protection (2.5kV).
- Complies with IEC 61000-4-2 level 2 (4kV) electrostatic discharge (ESD).



### WARRANTY

Any component that fails due to manufacturer's defect is guaranteed for 5 years. The warranty only covers products installed and maintained in accordance with the instructions provided by their respective manufacturer and no warranty is made with respect to any of our products that are otherwise installed or maintained. For full warranty details, visit our Warranty Section.

The IDBTROF2X2 is a 2' x 2' LED center basket luminaire, which is designed as a direct replacement for 2' x 2' fluorescent luminaires installed in grid ceilings. The IDBTROF2X2 is designed to deliver general ambient lighting in a variety of indoor settings, including schools, offices, hospitals and stores, and is the perfect choice for both new construction and retrofits.



Ordering Information				
Series	Color Temperature	Luminaire Lumens	Luminaire Watts	Lumens / Watt
IDBTROF2X2	5000K (Incl)	4718	43	110
	4000K			

### CONFORMANCE TO CODES AND STANDARDS

The IDBTROF2X2 series is ETL listed for damp locations, IC rated for insulated ceilings and meets or exceeds the DLC and FCC Safety Code

## CONSTRUCTION

Steel housing and acrylic lens. Uniform illumination with no visible LED pixelation. 0-10vdc dimming capability is standard.

## INSTALLATION

Easy installation in new construction or retrofit. Housing fits in standard 2' x 2' grid ceilings.

## ILLUMINATION

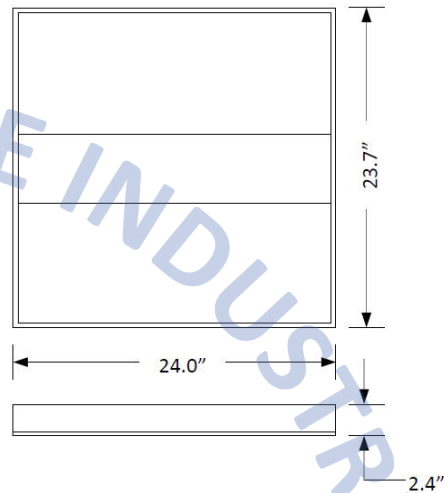
Available in 4000k (neutral white) and 5000k (cool white) color temperatures. Long-life LEDs provide 52,000 hours of operation with at least 70% of initial lumen output (L70). Provides 4,718 luminaire lumens (110 lumens per watt) at both 4000k and 5000k.

## ELECTRICAL COMPONENTS

Universal 100-277 AC voltage (50-60Hz) is standard. Power factor > 0.90. Total harmonic distortion < 20%. Color rendering index > 80. ETL approved for damp locations and to relevant U.L. standards (-30°C to 50°C / -22°F to 122°F).

## PHOTOMETRICS

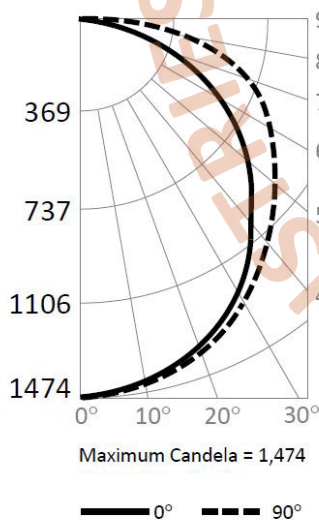
## DIMENSIONS



### PHOTOMETRIC DATA

Model: BCBLED22-40D-4KMV (4,718 lumens)

# LFI



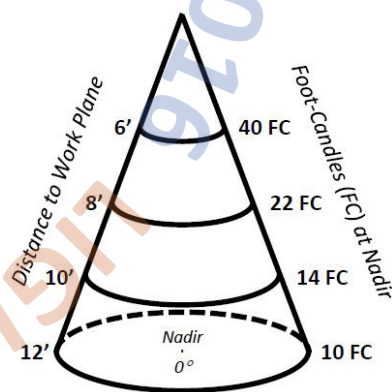
### Candlepower Summary

	0°	90°
0°	1,474	1,474
10°	1,447	1,465
20°	1,362	1,417
30°	1,227	1,329
40°	1,051	1,205
50°	845	1,056
60°	618	902
70°	382	749
80°	157	500
90°	6	2

### Zonal Lumen Summary

Zone	Lumens	% Fixture
0° - 10°	139	2.9%
0° - 20°	537	11.4%
0° - 30°	1,145	24.3%
0° - 40°	1,889	40.0%
0° - 50°	2,678	56.8%
0° - 60°	3,428	72.6%
0° - 70°	4,068	86.1%
0° - 80°	4,536	96.0%
0° - 90°	4,718	100.0%
90° - 180°	0	0%
0° - 180°	4,718	100.0%

### Cone of Light



3170 Scott Street, Vista, CA 92081

Phone: 877-534-4621 Fax: 877-534-4624

Email: info@lightfixtureindustries.com

Published with the permission of Light Fixture Industries