

IDBRETROCAN4

4" Recessed LED Retrofit Module

FEATURES

- Choice of 2700K (±200), 3000K (±200), 4000K (±200) or 5000K color temperature 80 CRI.
- Voltage: 120V, 50–60Hz.
- Operation Temperature of 0°C–40°C (32°F–104°F).
- ETL Listed for wet locations.
- Energy Star qualified.
- Passes FCC Class A and Class B.
- Meets State of California Title 24 requirements.
- Power Consumption: 8 Watts.



WARRANTY

Any component that fails due to manufacturer's defect is guaranteed for 5 years. The warranty only covers products installed and maintained in accordance with the instructions provided by their respective manufacturer and no warranty is made with respect to any of our products that are otherwise installed or maintained. For full warranty details, visit our Warranty Section.

4" Recessed downlight retrofit solution with integrated LED power supply and thermal management system combined in a single compact unit designed to fit most standard 4" recessed cans.



| Ordering Information | | | |
|----------------------|-------------------|--------|--------------|
| Series | Color Temperature | Lumens | OPTIONS |
| IDBRETROCAN4 | 2700K (Incl) | 550 | White Baffle |
| | 3000K | 630 | |
| | 4000K | 665 | |
| | 5000K | 730 | |

CONFORMANCE TO CODES AND STANDARDS

The IDBRETROCAN4 series is EETL Listed for wet locations. Energy Star qualified. Passes FCC Class A and Class B. Meets State of California Title 24 requirements.

CONSTRUCTION

Durable thermoplastic construction. E26 medium screw-base Edison connector provides easy retrofit of incandescent housings.

ILLUMINATION

Long Life LEDs with up to 50,000 hours at 70% lumen maintenance. Uses 1.2W high power, high quality LEDs. Choice of 2700K (± 200), 3000K (± 200), 4000K (± 200) or 5000K color temperature 80 CRI. Produces 550-730 lumens output from luminaire.

ELECTRICAL COMPONENTS

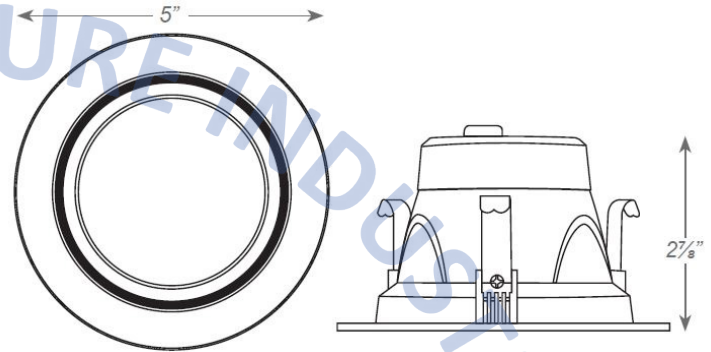
Built-in LED driver. Includes Socket Adapter. Down to 10% dimmable with most dimmers. Voltage: 120V, 50–60Hz. Operation Temperature of 0°C–40°C (32°F–104°F). Power Consumption: 8 Watts.

PHOTOMETRICS

INSTALLATION

Compatible with most 4" recessed cans. Easy installation with integral clips. Compatible with insulated, non-insulated and air-tight ceilings. No tools required for installation.

DIMENSIONS



LFI



3170 Scott Street, Vista, CA 92081

Phone: 877-534-4621 Fax: 877-534-4624

Email: info@lightfixtureindustries.com

Published with the permission of Light Fixture Industries